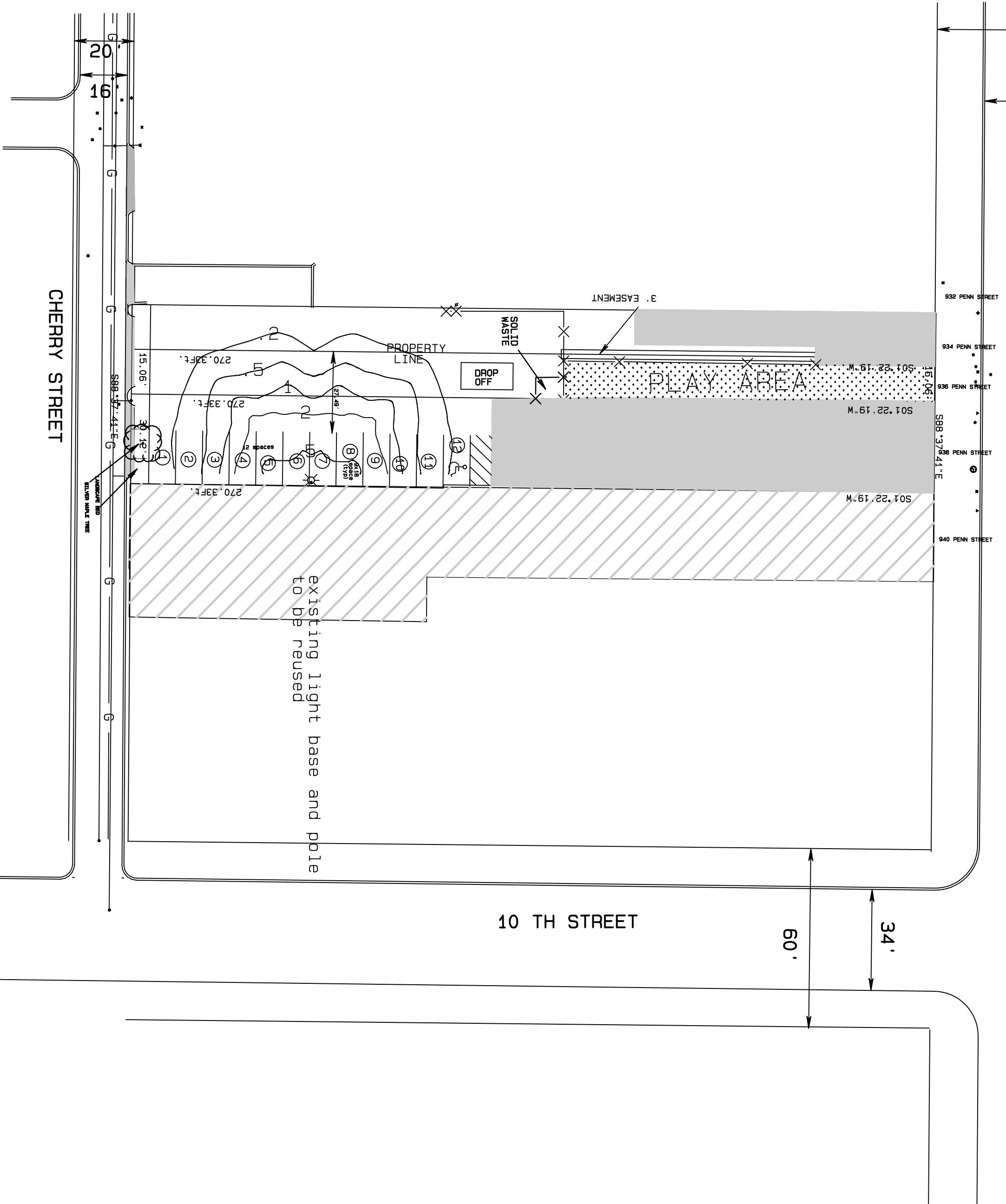
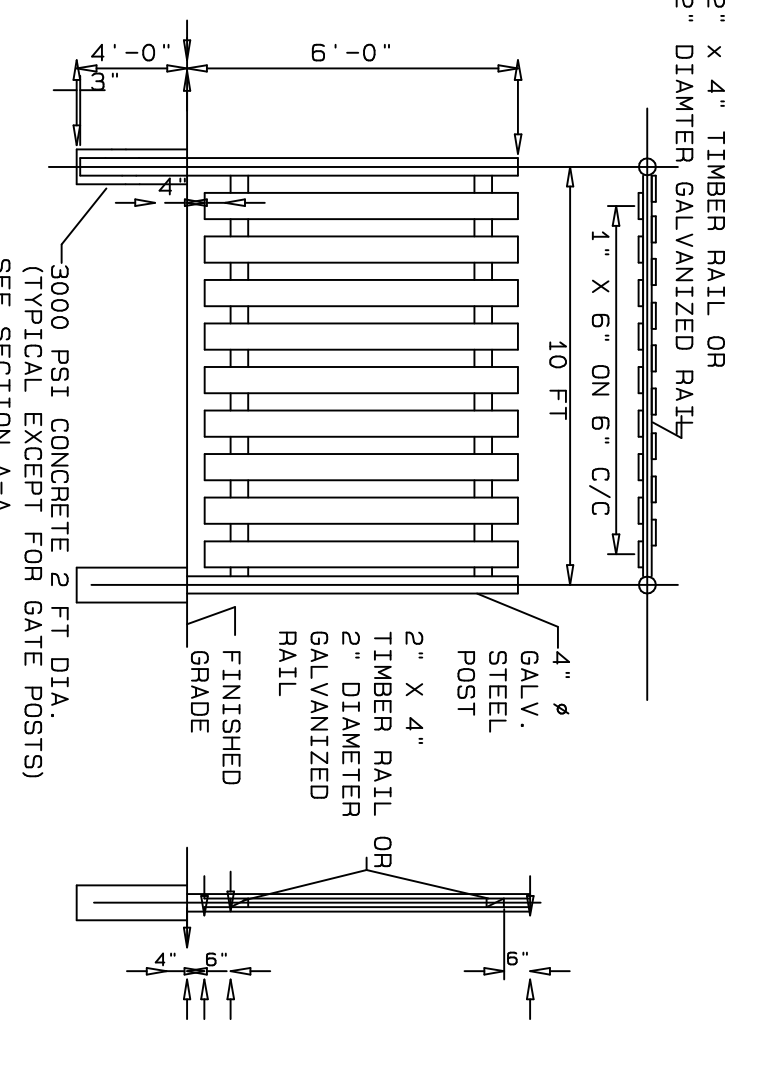
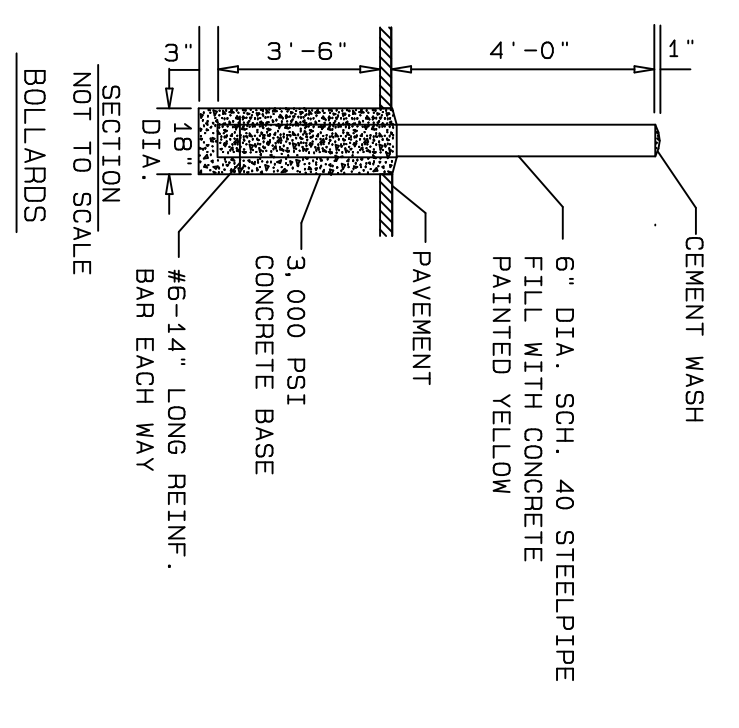
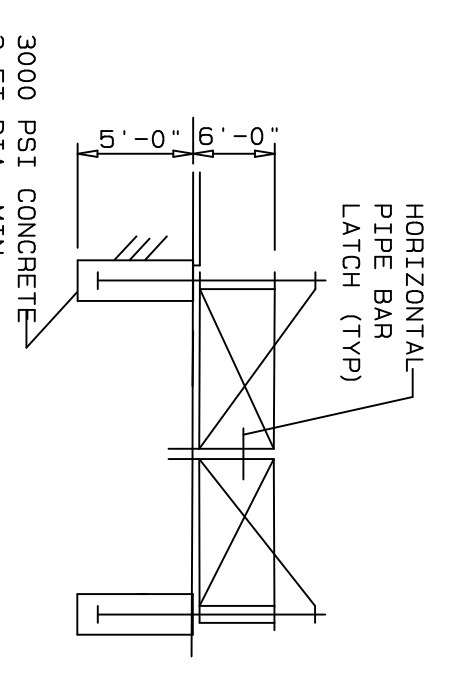
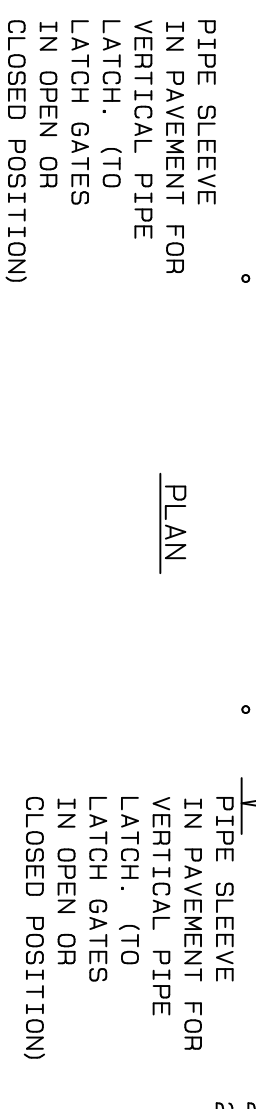
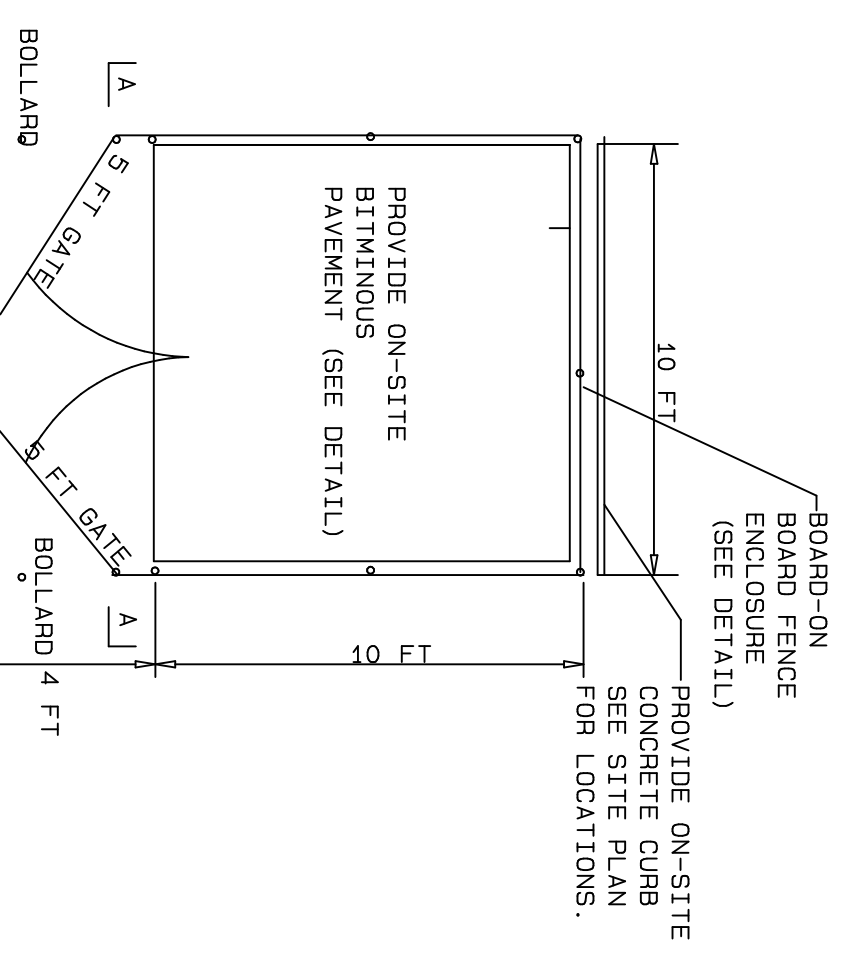
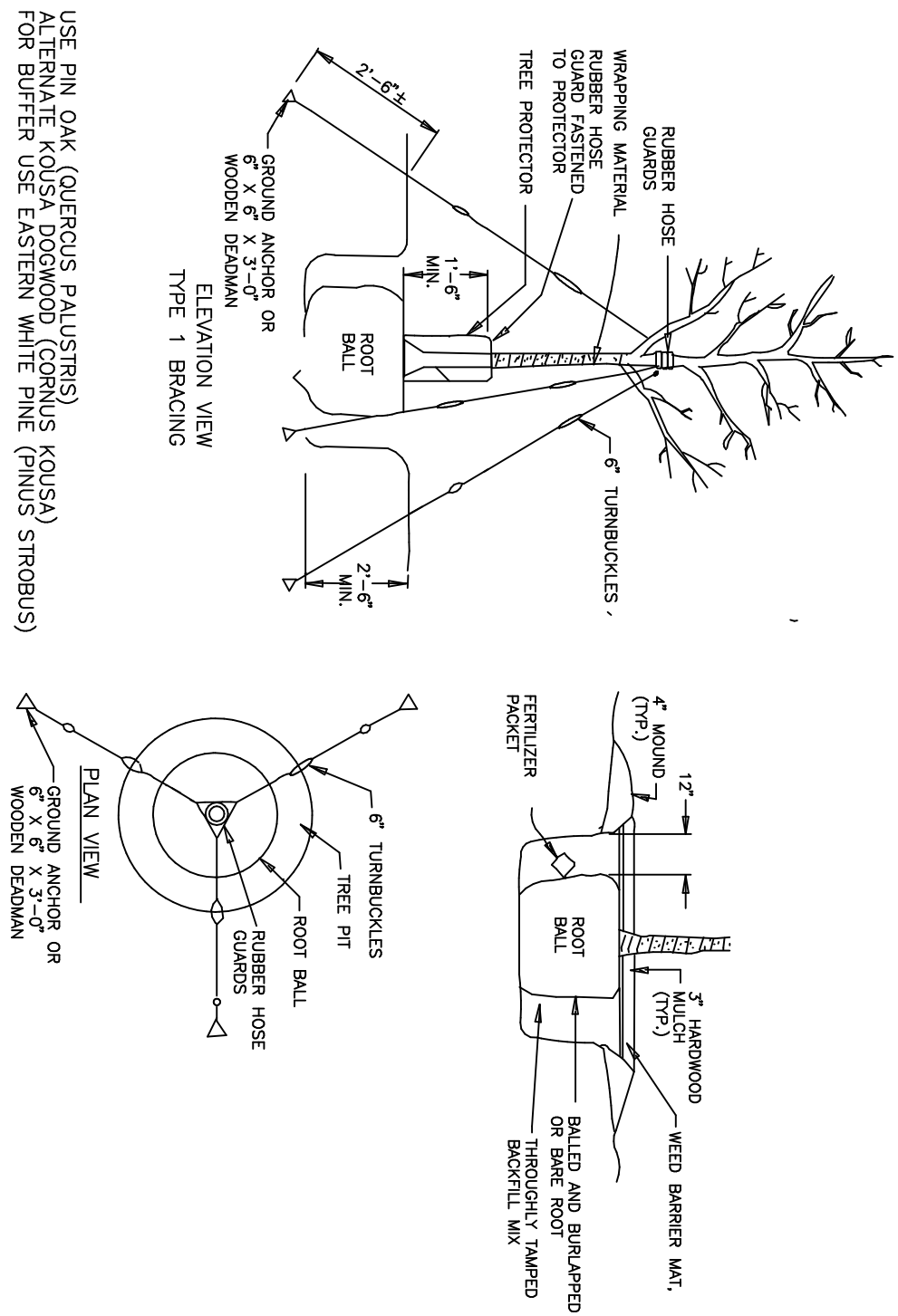
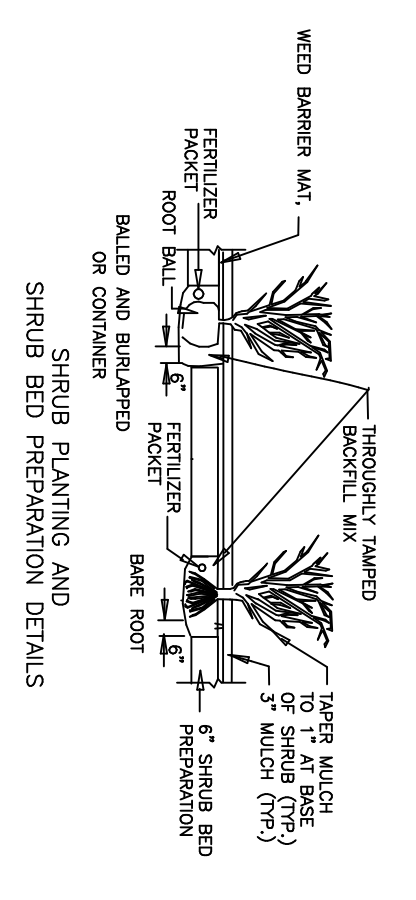
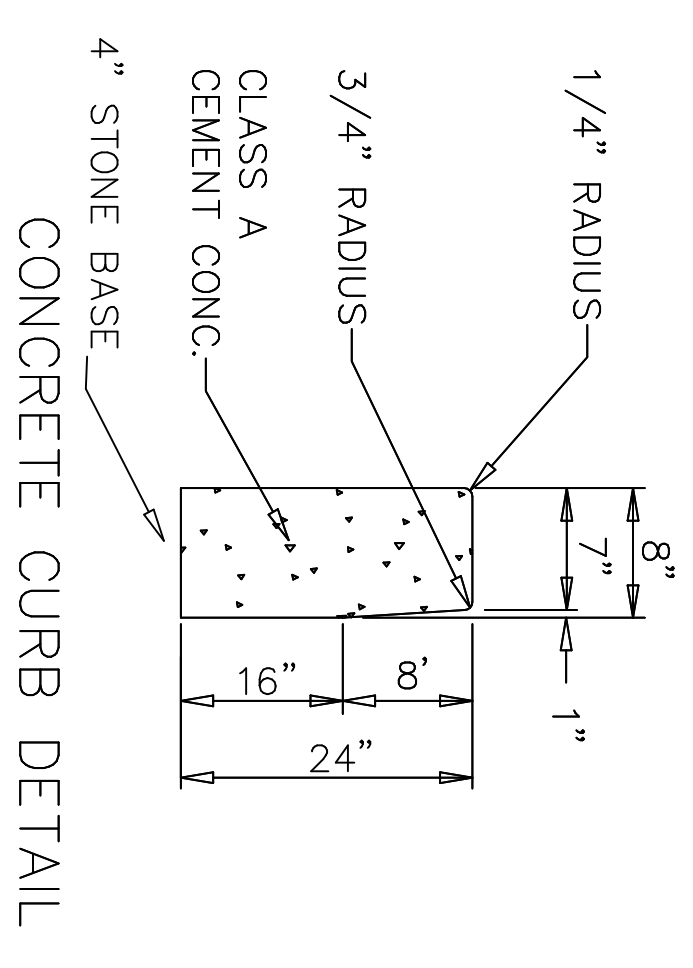
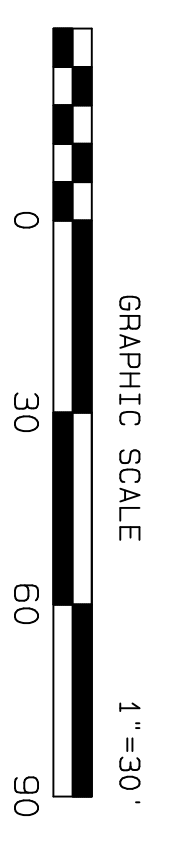


PENN STREET

80'  
50'



LIGHTING PLAN



SOLID WASTE BULK STORAGE AREA ENCLOSURE

MY COMMISSION EXPIRES

PREPARED BY: **TARSON LLC**

Corporate Office  
P.O. BOX 160  
DOUGLASSVILLE PA 19518  
PH 484 491 1329

© Copyright 2021, TARSON LLC. ALL RIGHTS RESERVED. The drawing of this work is the property of TARSON LLC. Reproduction or modification of this drawing, or any part thereof, is strictly prohibited except by written permission of this firm. All original and copies of plans, reports, surveys and technical data developed for this project by TARSON LLC or any of its subsidiaries shall be owned by and remain the property of TARSON LLC until final payment for all services rendered on the project are received and TARSON LLC provides written notice of the transfer of ownership.

NO.	DATE	BY	DESCRIPTION

SCALE: 1" = 30'  
DATE: 4/06/2021  
DRAFTER: DHL  
CHECKED: DHL

STATUS: LAND DEVELOPMENT PLAN  
TITLE: DETAILS AND LIGHTING  
PRINCE & PRINCESS DAY CARE CENTER  
CITY OF READING, BERKS COUNTY, PENNSYLVANIA

SHEET NUMBER: 3 OF 3  
PLAN NUMBER: 121-005