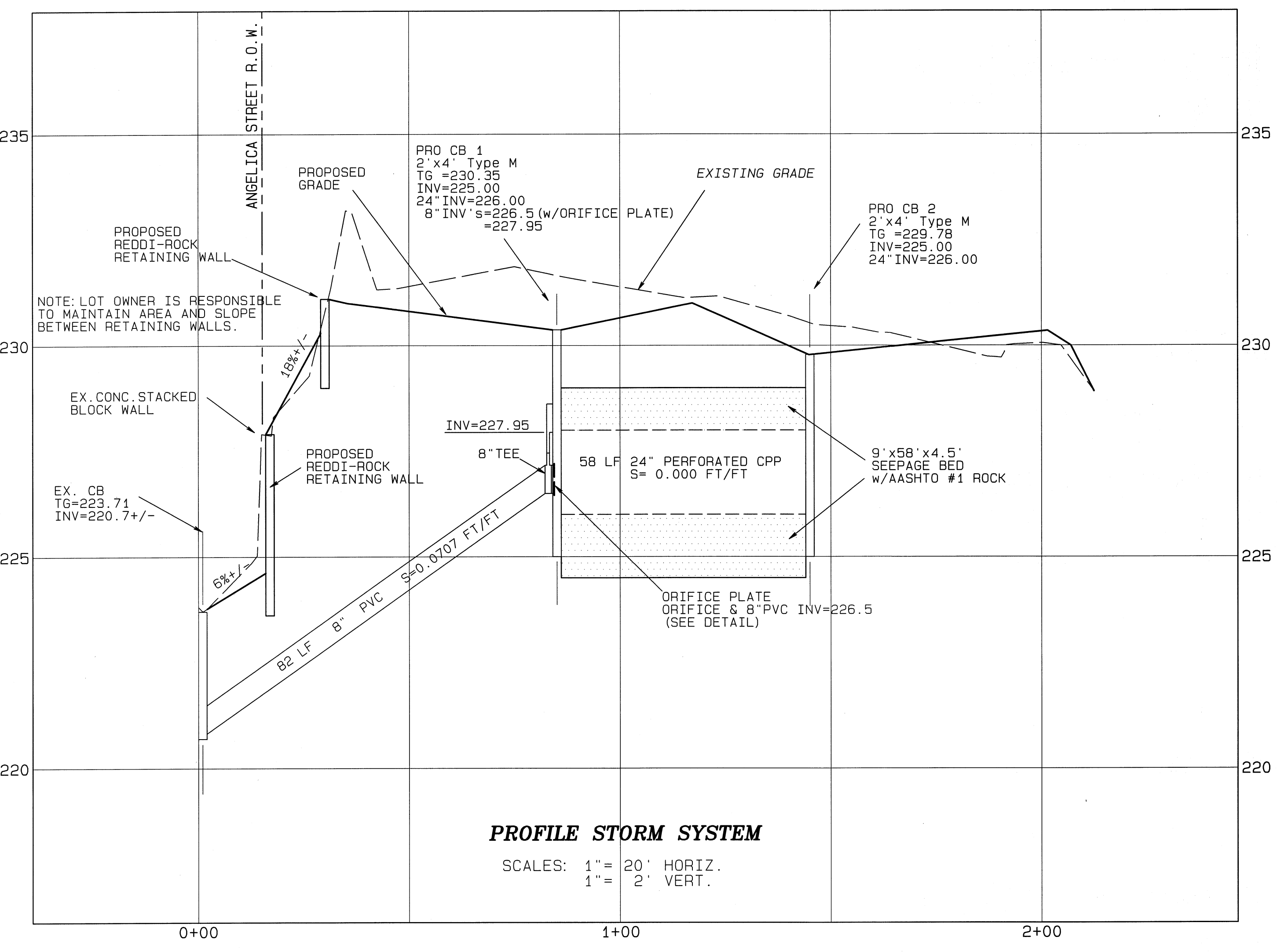
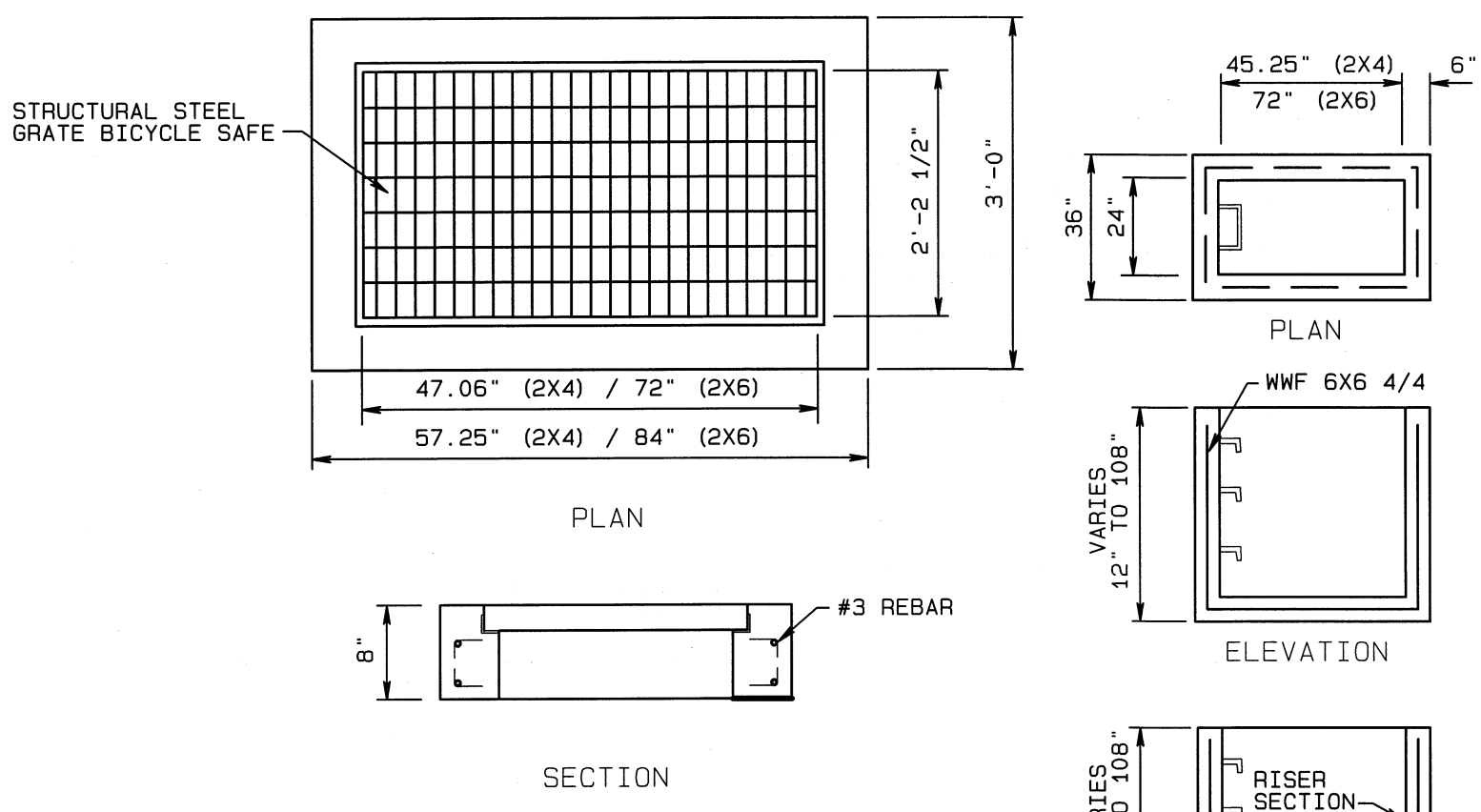


- BMP OPERATION & MAINTENANCE**
 The stormwater management system shown requires proper and routine maintenance to provide continued satisfactory operation. In order to properly maintain the stormwater facilities, the following maintenance is required.
- Following each storm event, inspect the inlet grate to verify that it is clear of all debris. Clean as required.
 - At least monthly, inspect the inlet to verify that the inlet remains clear of sediment, grit and debris. Clean out any such material if noted.
 - At least monthly, inspect the discharge pipes to verify that the inlet remains clear of sediment, grit and debris. Clean out any such material if noted.
 - If debris buildup occurs in the inlet such that debris is above the invert of the seepage bed pipe, inspect the seepage bed pipe and clean it if debris is observed.

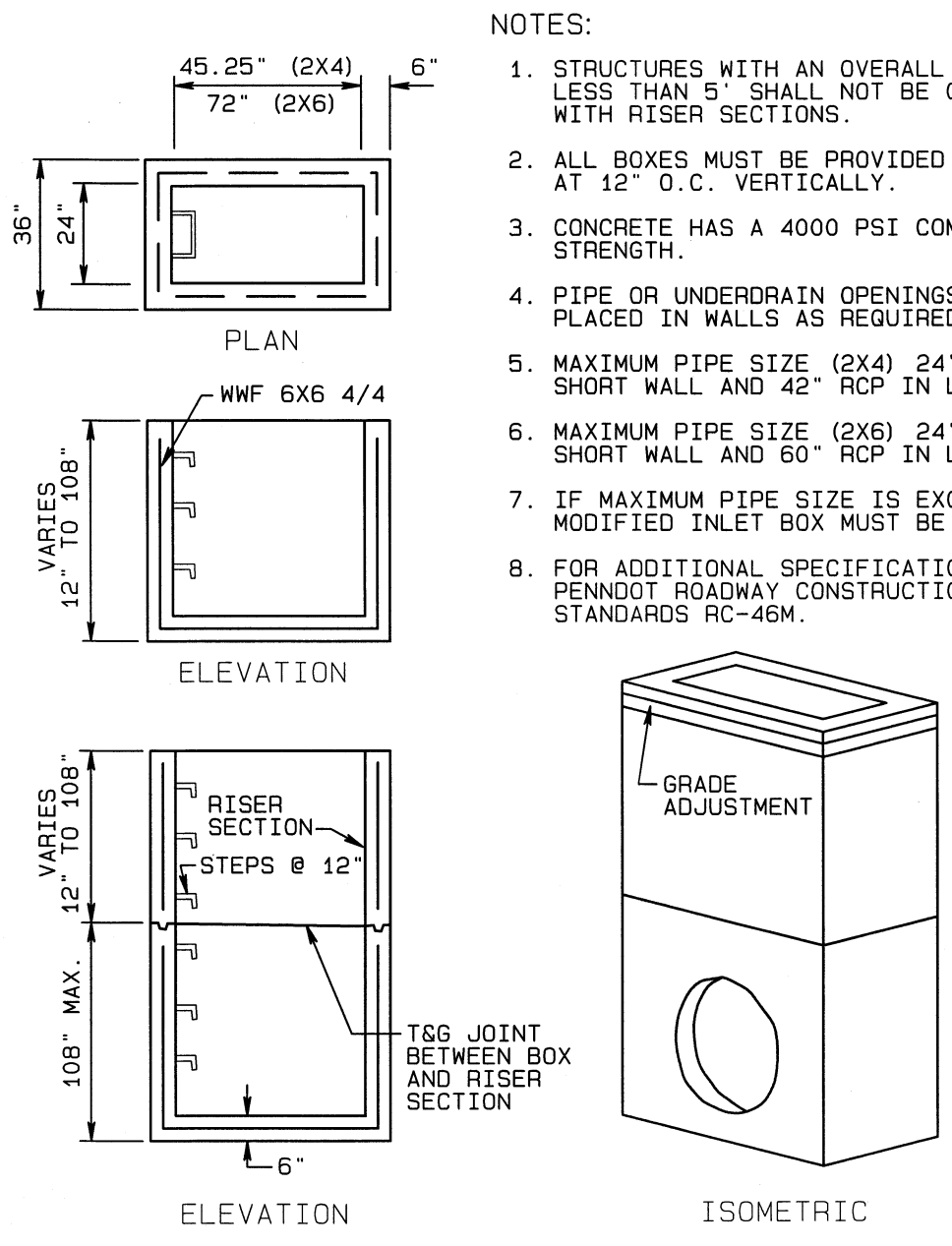


PROFILE STORM SYSTEM
 SCALES: 1" = 20' HORIZ.
 1" = 2' VERT.



- NOTES:**
- TYPE M PRECAST TOP UNITS SHALL BE USED OVER A 24" X 45 1/4" INLET OPENING. THE MATERIALS, DESIGN AND CONSTRUCTION OF PRECAST REINFORCING CONCRETE TOP UNITS SHALL MEET THE COMMONWEALTH OF PA DEPARTMENT OF TRANSPORTATION BUREAU OF DESIGN, STANDARDS FOR ROADWAY CONSTRUCTION RC-46M.
 - CONCRETE DIMENSIONS SHOWN ARE NOMINAL AND MINIMUM DIMENSIONS. ALL VERTICAL SURFACES ARE DRAFTED.
 - TOP UNITS ARE PROVIDED WITH DEFORMED STEEL REINF.

TYPE M INLET
 SCALE: NONE



2x4 or 2x6 PRECAST INLET BOX
 SCALE: NONE

- PLAN INDEX:**
- D-19-91-01 LAND DEVELOPMENT PLAN
 - D-19-91-02 EXISTING CONDITIONS PLAN
 - D-19-91-03 GRADING/UTILITY/LANDSCAPE PLAN
 - D-19-91-04 STORMWATER DETAIL/PROFILE/CONSTRUCTION DETAILS
 - D-19-91-05 EROSION & SEDIMENT CONTROL PLAN
 - D-19-91-06 EROSION & SEDIMENT CONTROL NOTES/DETAILS
- LIGHTING PLANS PREPARED BY LACEY ELECTRIC

PRELIMINARY/FINAL LAND DEVELOPMENT PLAN
STORMWATER DETAIL/PROFILE/CONSTRUCTION DETAILS

READING SODA WORKS & CARBONIC SUPPLY

JOHN W. HOFFERT
 Professional Land Surveyor
 32 East Lancaster Avenue
 Shillington, Penna. 19607
 (610) 775-0465

DRAWN	CHECK	REVISED	K.M.K.
J.A.H.	J.W.H.	K.M.K. 01/16/20	K.M.K. 02/10/21
10/27/19	11/01/19	K.M.K. 11/10/20	
SCALE	MAP	MUN.	PLAN NUMBER
NONE	531640	49	D-19-91-04